



# P-5

## RGBW LED Wash Light



### Description

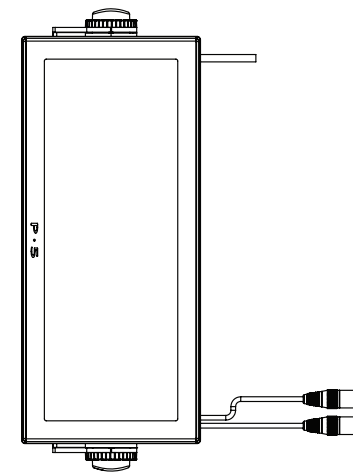
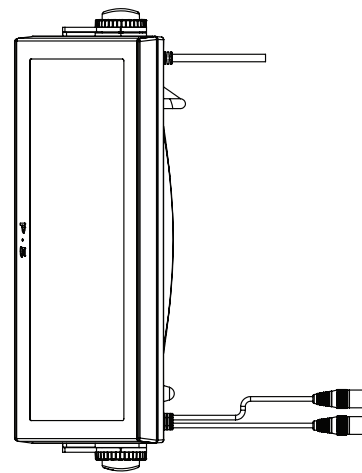
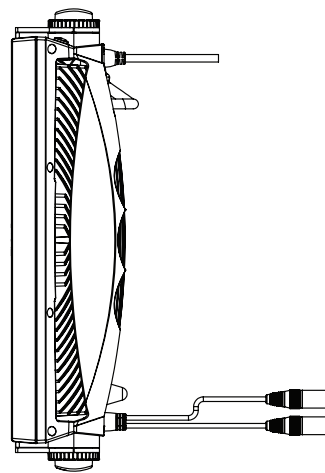
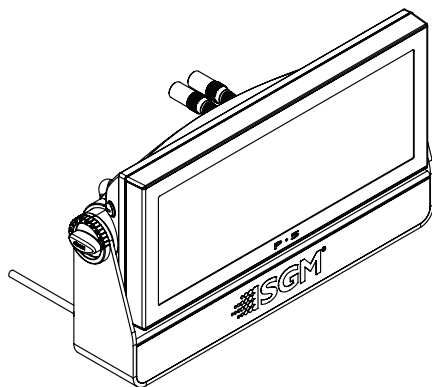
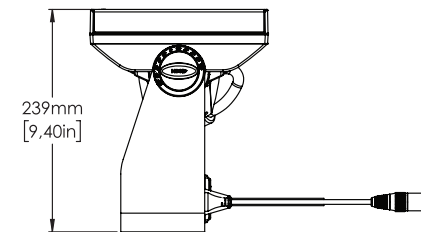
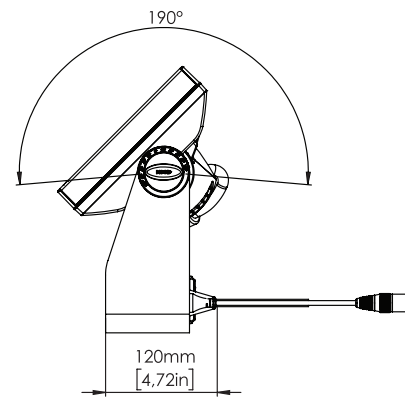
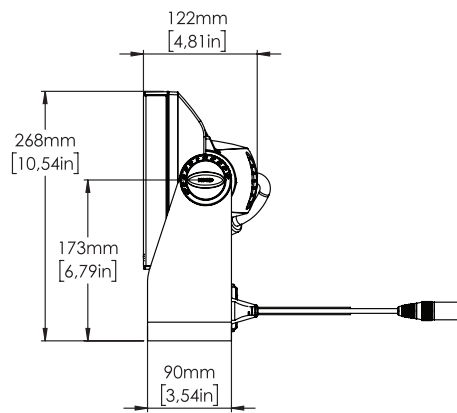
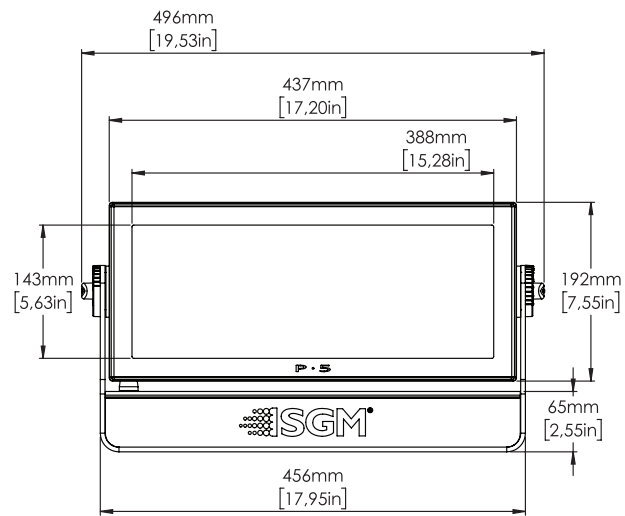
The P-5 is the most well-known and reputed IP65 LED wash in the lighting industry. It has created new standards of color consistency, even coverage, light output, and smooth dynamic color balance. The P-5 employs 16bit dimming performance with no color shift, it is completely upgradeable through firmware updates, and it offers a full variety of beam angles for medium-to-longer throw applications via precise, interchangeable lenses. Its unique light projection and color mixing has made the P-5 the standard reference for lighting designers all around the world.

### Features and benefits

- ✓ High-performance IP65 RGBW LED light source
- ✓ 20031 lumens in W
- ✓ 2000K - 10000K CTC control
- ✓ Practically maintenance-free
- ✓ 43°, 21°, and 15° interchangeable lenses
- ✓ DMX, RDM, and wireless control
- ✓ Accurate 16bit dimming performance
- ✓ Flicker-free / Programmable scenes

### Certifications & classifications





# Specification

<b>Optical Data</b>	LED expected lifetime	50,000 hours
	Lightsource	44 x high-power 10W RGBW LEDs
	Native lens options	15° 21° 43°
<b>Photometric</b>	Average CRI (CTC)	86
	Color temperature range	2000K - 10000K
	Efficacy	44 lm/W
	Light output all LEDs on	20031 lm
	Light output blue	1353 lm
	Light output green	5806 lm
	Light output red	4725 lm
	Lumen per kilogram	2251 lm / Kg
	Lux @ 10m	1993 lux
	Lux @ 3m	22142 lux
	Lux @ 5m	7971 lux
	Native beam angle(s)	14° (with 15° lens) 26° (with 21° lens) 35° (with 43° lens)
	Native field angle(s)	76° (with 43° lens) 55° (with 21° lens) 30° (with 15° lens)
<b>Physical</b>	Color options	Black - RAL 9004 Custom color - Any RAL White - RAL 9010
	Effective Projected Area	1.72 Square ft
	IP class	IP65
	Lens material	PE
	Material	Aluminium
	Net dimensions L x H x W	497 x 268 x 122 mm
	Net dimensions L x H x W (inches)	19.6 x 10.6 x 4.8 inches
	Net weight	8.9 kg (19.6 lbs)
<b>Features</b>	Color calibration	SGM proprietary, full color calibration
	Dimming	2 Smooth fade in, DMX-controllable curves: gamma corrected, and linear
	Filters	Optional external spread angle filters (requires Accessory Holder)
	Other	LED frequency control, display selectable

	Strobe	Ultra-high-speed strobe effects
	Tilt	0 - 190°
<b>Electrical</b>	Electrical protection	Overload protection
	Input voltage, absolute max. rating	190 - 264 VAC; 50 / 60 Hz
	Input voltage, nominal	208 - 240 VAC; 50 / 60 Hz
	Max inrush current 230VAC	45 A
	Max power consumption	450 W
	Power factor	0.98 PF (230 V)
	Power Supply Unit	Auto-ranging electronic switch-mode
	Standby power consumption	8 W
<b>Programming and Control</b>	16-bit control	Dimmer, Red, Green, Blue, White
	Cabled DMX	5 pin XLR input/output
	DMX channels	3, 4, 6, 8, 9 or 10
	DMX modes	7
	Protocol	USITT DMX512A Wireless DMX (LumenRadio) RDM ANSI E1.20
	Setting and addressing	OLED graphical display / 4 buttons RDM ANSI E1.20 RFID Standalone mode
	Standalone mode	Quick Color Standalone mode programmable via RFID Up to 24 programmable scenes
	Wireless DMX	Lumen Radio with RDM
<b>Connections</b>	DMX data in/out	2 IP65 XLR 5-pin cables 0.5m (permanently wired)
	Power	Power cable 1 meter with bare ends (permanently wired)
<b>Installation</b>	Mounting point	2 x 2 quarter-turn locking points for one or two Omega brackets
	Orientation	Any
	Rigging possibilities	Floor stand (included) or hanging (Omega clamps included)
	Safety features	Bottom mount for safety wire Minimum distance to combustible materials: 0.3 meter (11 in).
<b>Thermal</b>	Cooling	Active, Forced Air, Temperature- regulated
	Humidity (max.)	98 %

Temperature range, operating	-40°C to 50°C
Temperature range, operating max	50 °C
Temperature range, operating min	-40 °C
Temperature range, start-up	-20°C to 50°C
Temperature range, storage	-40°C to 80°C
Thermal protection	Automatic overtemperature protection
Total heat dissipation, max power	1535.4 BTU per hour
Total heat dissipation, standby	27.3 BTU per hour

**Included items**

Included items	Wireless DMX antenna Mounting bracket (incl. screws) 2 Omega bracket with quarter-turn fasteners Safety instructions and installation quick guide
----------------	------------------------------------------------------------------------------------------------------------------------------------------------------------

**Conforms To**

CE - 2014/30/EU: EMC Directive	EN 55015 EN 61547 EN 61000-3-2 EN 61000-3-3 EN 55032 EN 55035
CE - 2014/35/EU: Low Voltage Directive	EN 60598-1 EN 60598-2-17 EN 62471 EN 60529
RoHS2 Directive	2011/65/EU
UL	UL Std. 1573

**Certified To**

CSA	CSA Std. C22.2 No. 166
-----	------------------------

## Ordering information

Qty	Product name	Item number
<input type="checkbox"/>	P-5 Wash, 21°, Std, BL	80030515
<input type="checkbox"/>	P-5 Wash, 43°, Std, BL	80030517
<input type="checkbox"/>	P-5 Wash, 15°, Std, BL	80030518
<input type="checkbox"/>	P-5 Wash, 15°, Std, WH	80030537
<input type="checkbox"/>	P-5 Wash, 21°, Std, WH	80030538
<input type="checkbox"/>	P-5 Wash, 43°, Std, WH	80030539
<input type="checkbox"/>	P-5 Wash, 43°, Std, CU	80030540
<input type="checkbox"/>	P-5 Wash, 21°, Std, CU	80030541
<input type="checkbox"/>	P-5 Wash, 15°, Std, CU	80030542
<input type="checkbox"/>		

Accessories		Item number
<input type="checkbox"/>	P·5 Lens Kit, 15°	83061116
<input type="checkbox"/>	P·5 Lens Kit, 21°	83061117
<input type="checkbox"/>	P·5 Lens Kit, 43°	83061118
<input type="checkbox"/>	BCC-2 Dual Bracket	83060603
<input type="checkbox"/>	BCC-4 Quad Bracket	83060604
<input type="checkbox"/>	Omega Bracket with 1/4-turn fasteners	83060602
<input type="checkbox"/>	4-way Barndoors for P·5, i·5, X·5, Q·7	83061120
<input type="checkbox"/>	8-way Barndoors for P·5, i·5, X·5, Q·7	83061121
<input type="checkbox"/>	Accessory Holder for P·5 & i·5	83061119
<input type="checkbox"/>	Color Frame for P·5, Q·7, X·5, i·5	83061122
<input type="checkbox"/>	Floor Stand for P·5, X·5 & Q·7	83060610
<input type="checkbox"/>	Flight Case for 4 pcs of P·5/Q·7/X·5	82051501
<input type="checkbox"/>	Flight Case for 4 pcs of P·5/Q·7/X·5 incl. barndoors	82051502
<input type="checkbox"/>	SGM USB uploader cable	83062011
<input type="checkbox"/>	Vacuum Test Kit	83061136
<input type="checkbox"/>	Diffusion filter for P·5, i·5 - elliptical horizontal, external	83061027
<input type="checkbox"/>	Diffusion filter for P·5, i·5 - elliptical vertical, external	83061028
<input type="checkbox"/>	Diffusion filter for P·5, i·5 - medium, external	83061025
<input type="checkbox"/>	Diffusion filter for P·5, i·5 - wide, external	83061026
<input type="checkbox"/>	RDM Addressing Tool	
<input type="checkbox"/>	Spigot adapter for omega bracket	83060639
<input type="checkbox"/>		



Headquarter [+45 70 20 74 00](tel:+4570207400)

Mail [info@sgmlight.com](mailto:info@sgmlight.com)

Website [sgmlight.com](http://sgmlight.com)