

DT 108

Headset with dynamic Microphone



FEATURES

- Highly sensitive headphone and microphone transducers
- Excellent ambient noise attenuation
- Capable of handling very high SPL
- Rugged construction
- Excellent comfort for long-term wearing
- Modular construction for easy servicing

APPLICATIONS

The DT 108 single-muff headset is designed for live, remote broadcasting, for studio, film and TV-applications. One side is open to monitor ambient sound. The protective ear cup attenuates up to 20 dB of ambient noise. The headset features a noise cancelling microphone. Available in different impedances.

VERSIONS

- | | | |
|--------|--|-----------------|
| DT 108 | Single-ear-headset, 200/50 Ω ,
grey | Order # 131.342 |
| DT 108 | same as above, but black | Order # 402.958 |
| DT 108 | Single-ear-headset, 200/400 Ω ,
grey | Order # 101.702 |
| DT 108 | same as above, but black | Order # 402.966 |

OPTIONAL ACCESSORIES

- | | | |
|-----------|--|-----------------|
| K 109.00 | Bare-ended straight cable,
1.5 m long | Order # 101.907 |
| K 109.00 | Bare-ended straight cable,
3 m long | Order # 127.949 |
| K 109.28 | Straight cable with
4-pin XLR-socket, 3 m long. | Order # 220.132 |
| K 109.38 | Straight cable with
5-pin XLR-plug, 1.5 m long | Order # 406.538 |
| K 109.40 | Straight cable with
3-pin XLR-plug and 1/4" jack
(6.35 mm), 1.5 m long | Order # 449.121 |
| K 109.42 | Straight cable with
4-pin XLR-plug, 1.5 m long | Order # 446.548 |
| WK 109.00 | Bare-ended coiled cable,
3 m long | Order # 198.900 |

TECHNICAL SPECIFICATIONS

Headphone

- | | |
|-------------------------------------|--|
| Transducer type | Dynamic |
| Operating principle | Closed |
| Frequency response | 30 - 20,000 Hz |
| Nominal impedance | 400 Ω \pm 10% per
cartridge* |
| Nominal SPL at 1 kHz | 94 dB |
| T.H.D. | < 1% |
| Power handling capacity | 1000 mW $\hat{=}$ 124 dB |
| Ambient noise attenuation | approx. 20 dBA |
| Sound coupling to the ear | Circumaural |
| Headband pressure | approx. 4.5 N |
| Weight (without cable) | 283 g |

Microphone

- | | |
|-------------------------------|---|
| Transducer type | Dynamic |
| Operating principle | Pressure gradient |
| Frequency response | 40 - 12,000 Hz |
| Polar pattern | Hypercardioid |
| Output voltage | approx. 2.5 mV
at a distance of 5 cm |
| Nominal impedance | 200 Ω |
| Load impedance | \geq 1000 Ω |

*more impedances available

SPARE PARTS

- | | | |
|------------|--|-----------------|
| EDT 100 S | Ear pads, soft PVC,
circumaural. | Order # 907.003 |
| EDT 100 P | Ear pads, plush, circumaural | Order # 945.576 |
| EDT 100 T | Ear pads, cotton jersey,
circumaural. | Order # 945.584 |
| BN 59-18/A | Headband pad | Order # 108.715 |
| BN 56-79/A | Pop shield (5 pcs.) | Order # 108.677 |

Germany

beyerdynamic GmbH & Co. KG
Theresienstr. 8 · 74072 Heilbronn – Germany
Tel. +49 (0)7131 / 617-0 · Fax +49 (0)7131 / 617-224
info@beyerdynamic.de · www.beyerdynamic.de

United States

beyerdynamic Inc. USA
56 Central Ave. · Farmingdale, NY 11735
Tel. +1 (631) 293-3200 · Fax +1 (631) 293-3288
salesUSA@beyerdynamic.com · www.beyerdynamic.com

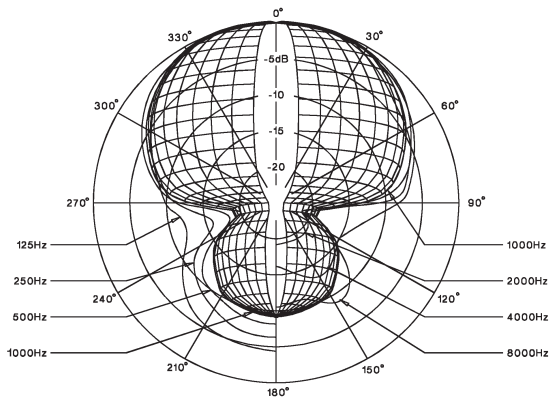
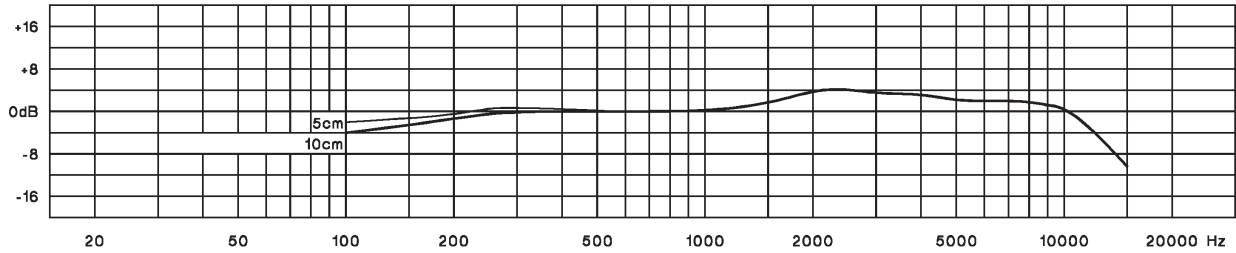
Great Britain

beyerdynamic U.K. Ltd.
17 Albert Drive · Burgess Hill RH15 9TN
Tel. +44 (0)1444 / 258258 · Fax +44 (0)1444 / 258444
sales@beyerdynamic.co.uk · www.beyerdynamic.co.uk

FREQUENCY RESPONSE & POLAR PATTERN

This frequency response curve (measuring tolerance ± 2.5 dB) and polar pattern correspond to a typical production sample for this microphone.

Frequency response curve ± 2.5 dB 0 dB = 2.5 mV at a distance of 5 cm



WIRING DIAGRAM

